



Manways, Sampling

Ports and Fittings in

Stainless Steel.

Guide for Vessel and

Process Engineers.



**zimmerlin**

EDELSTAHL-TECHNIK GMBH

**Zimmerlin-covers**

**since 1966**

- Largest producer of pressure access ports for the Pharmaceutical sector.
- Full range of products to suit the Chemical, Food, Wine and Dairy industries.
- Zimmerlin use the most modern machines and control methods.
- Whether you require standard or custom made items, we manufacture to consistently high standards, with timely completions.
- Conversion of special client requirements, through to construction, is part of our service.
- Depending on design criteria, we offer certification according to PED and/or ASME.



**EDELSTAHL-TECHNIK**

**zimmerlin GmbH**    Telefon 07663/6088-0  
Frohmatenstr. 19    Telefax 07663/6088-88  
79268 Bötzingen    info@zimmerlin.de

[www.zimmerlin.de](http://www.zimmerlin.de)

<b>table of contents</b>	<b>page</b>
<b>round pressure dome covers up to 10/-1bar</b>	<b>2 – 3</b>
<b>round pressure dome covers over 10/-1bar</b>	<b>4 – 5</b>
<b>round pressure dome covers up to 1/-1bar</b>	<b>6 – 7</b>
<b>oval pressure covers up to 10/-1bar</b>	<b>8</b>
<b>round cone covers up to 6/-1bar</b>	<b>9</b>
<b>round pressure covers with glass pane</b>	<b>10</b>
<b>round pressureless covers with glass pane</b>	<b>11</b>
<b>seals</b>	<b>12 – 13</b>
<b>round pressureless dome covers</b>	<b>14 – 15</b>
<b>oval manhole covers</b>	<b>16 – 17</b>
<b>oval handhole covers</b>	<b>18</b>
<b>round sight-glasses DIN 28120 (bolted type)</b>	<b>19</b>
<b>round sight-glasses DIN 11851 (screwed type)</b>	<b>20</b>
<b>spare parts, fittings, safety grill and safety cross</b>	<b>21 – 22</b>
<b>tank feet</b>	<b>23</b>
<b>Lieferungs- und Zahlungsbedingungen (Payment Terms and Conditions of Sale)</b>	<b>24</b>



round pressure dome cover

up to 10/-1 bar overpressure

with EG-approval acc. to PED 97/23/EG  
with ASME-approval (optional)

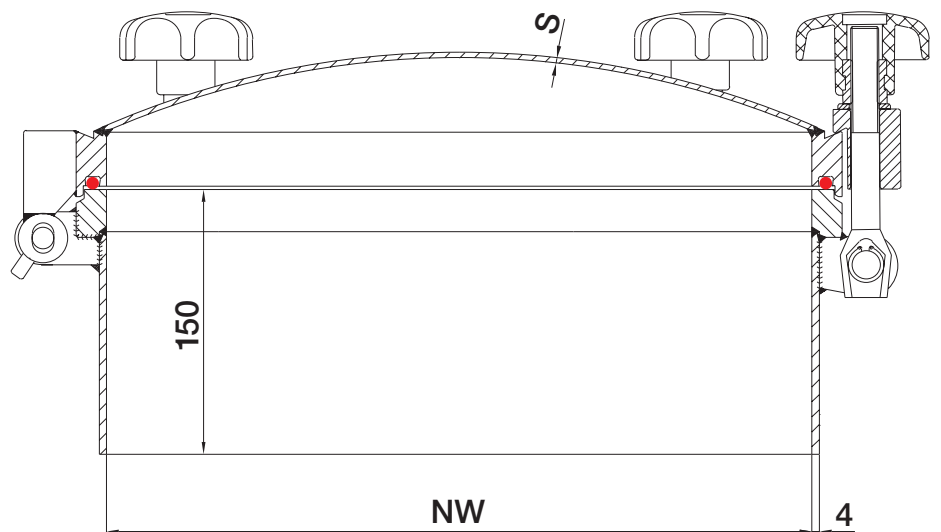


## standard design

- wetted material: 1.4571, optional: 1.4404  
welded metal parts 1.4301
- plastic handle with stainless steel sleeve
- silicone seal (blue)
- with hinge and handle
- neck height 150 mm, neck thickness 4 mm
- surface ungrinded shot blasted,  
from size 600 ungrinded, pickled

## options

- materials: 1.4435 BN2, 1.4539, 1.4529, 1.4462, 1.4429, HC-22,  
HC-276, HC-2000, etc.
- intermediate sizes possible
- range of seals (page 12 – 13)
- surface finishes (shot blasted, pickled or grinded up to  $Ra < 0,2 \mu m$ )
- neck length up to 2000 mm, neck thickness up to 20 mm
- with conical neck (up to 8 mm thickness)
- various handles and screws: stainless steel handle, t-handle,  
collarnut (page 21)
- cover with swivel feature (page 21)
- cover with wedge for installation on the side of the vessel (page 21)
- locking pin (page 21)
- spring assist (torsion-, disc- or gas-springs) (page 21)
- welding of different fittings (sight-glasses acc. to DIN 28120 / 28117/  
11851, tri clamp ferrules etc.) (page 19 – 20)
- various limit switches
- safety grill and safety cross (page 22)
- metal parts in different materials
- etc.



EDELSTAHL-TECHNIK

zimmerlin GmbH    Telefon 07663/6088-0  
Frohmatenstr. 19    Telefax 07663/6088-88  
79268 Bötzingen    info@zimmerlin.de

[www.zimmerlin.de](http://www.zimmerlin.de)

**round pressure dome cover****up to 10/-1bar overpressure**with approval acc. to PED 97/23/EG  
with ASME-approval (optional)

article No.	size (NW)	max. allowed working pressure in bar	max. allowed working temperature in ° C	number of screws M16	length over all	S in 1.4571	weight in kg
20162004	100	6	200	4	180	6	9
21562004	150	6	200	4	185	4	11
22062004	200	6	200	4	190	4	14
22542804	250	4	280	4	195	4	16
22582504	250	8	250	4	195	5	17
23042504	300	4	250	4	200	3	18
23062806	300	6	250	6	200	4	21
23082506	300	8	250	6	200	5	22
23542004	350	4	200	4	215	3	21
23562006	350	6	200	6	215	4	24
24042804	400	4	280	4	230	3	24
24060506	400	6	50	6	230	4	27
24062808	400	6	280	8	230	4	28
24082810	400	8	280	10	230	5	31
24542806	450	4	280	6	240	3	28
24562508	450	6	250	8	240	4	31
24582010	450	8	200	10	240	5	34
25032806	500	3	280	6	255	3	31
25042808	500	4	280	8	255	3	33
25062510	500	6	250	10	255	4	38
25081512	500	8	150	12	255	5	40
26022806	600	2	280	6	285	3	42
26040508	600	4	50	8	285	3	44
26042810	600	4	280	10	285	4	46
26061512	600	6	150	12	285	4	49
26081012	600	8	100	12	285	5	53
27022806	700	2	280	8	295	3	56
27042812	700	4	280	12	295	4	64
27061514	700	6	150	14	295	5	70
27081016	700	8	100	16	295	6	78
28020508	800	2	50	8	300	4	76
28022810	800	2	280	10	300	4	78
28042814	800	4	280	14	300	4	82
28061518	800	6	150	18	300	5	90
28080520	800	8	100	20	300	6	97
29022810	900	2	280	12	320	4	87
29042518	900	4	250	18	320	5	103
29061522	900	6	150	22	320	6	115
29080524	900	8	50	24	320	8	128
21022812	1000	2	280	12	340	5	110
21042020	1000	4	200	20	340	5	118
21060524	1000	6	50	24	340	6	125

seals see page 12/13

**EDELSTAHL-TECHNIK**

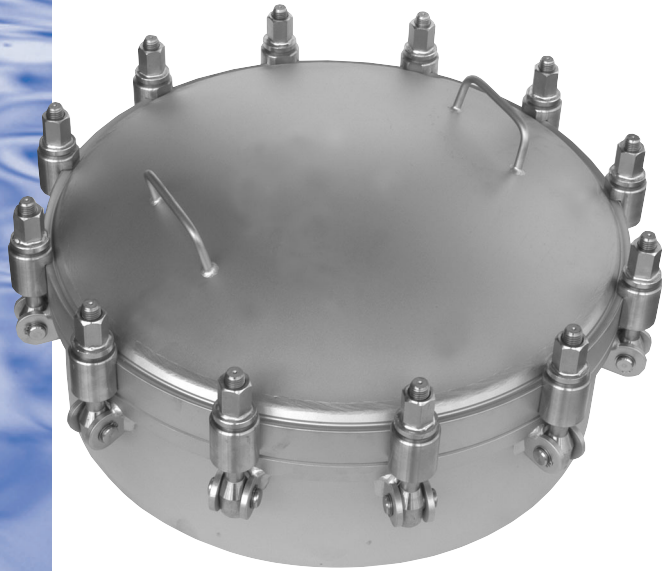
zimmerlin GmbH    Telefon 07663/6088-0  
 Frohmattenstr. 19    Telefax 07663/6088-88  
 79268 Bötzingen    info@zimmerlin.de

[www.zimmerlin.de](http://www.zimmerlin.de)

**round pressure dome cover**

**over 10/-1bar overpressure**

with approval acc. to PED 97/23/EG  
with ASME-approval (optional)

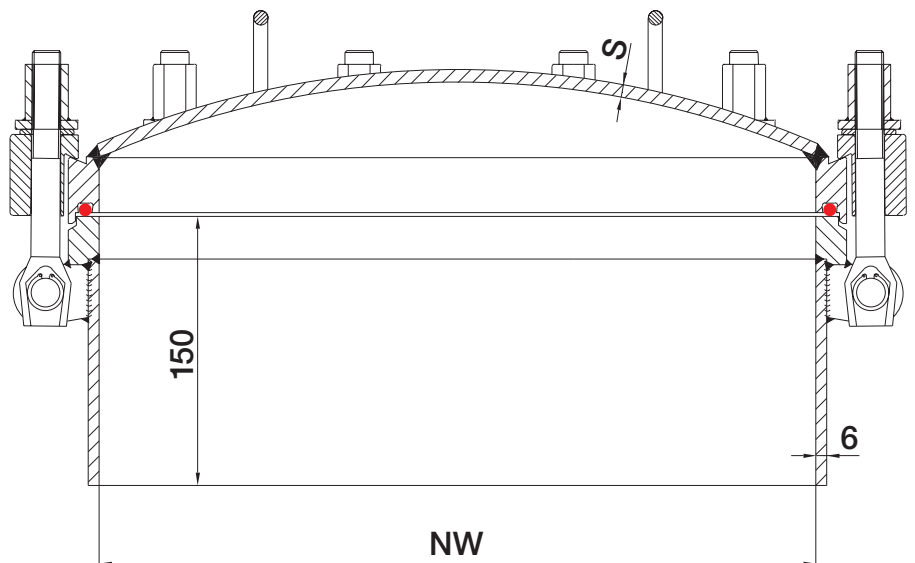


## standard design

- wetted material: 1.4571, optional: 1.4404  
metal parts 1.4301
- with stainless steel collar nuts
- silicone seal
- without hinge, with two handles
- neck height 150 mm, neck thickness 6 mm
- sleeves made of 1.4462  
surface ungrinded, shot blasted, from size 600, ungrinded, pickled

## options

- materials: 1.4435 BN2, 1.4539, 1.4529, 1.4462, 1.4429, HC-22,  
HC-276, HC-2000, etc.
- intermediate sizes possible
- range of seals (page 12 – 13)
- surface finishes (shot blasted, pickled or grinded up to  $Ra < 0,2 \mu m$ )
- neck length up to 2000 mm, neck thickness up to 20 mm
- with conical neck (up to 8 mm thickness)
- various handles and screws: stainless steel handle, t-handle,  
collar nut (page 21)
- cover with swivel feature (page 21)
- cover with wedge for installation on the side of the vessel (page 21)
- locking pin (page 21)
- spring assist (torsion-, disc- or gas-springs) (page 21)
- welding of different fittings (sight-glasses acc. to DIN 28120 / 28117/  
11851, tri clamp ferrules etc.) (page 19 – 20)
- various limit switches
- safety grill and safety cross (page 22)
- metal parts in different materials
- etc.



**EDELSTAHL-TECHNIK**

**zimmerlin GmbH** Telefon 07663/6088-0  
Frohmatenstr. 19 Telefax 07663/6088-88  
79268 Bötzingen info@zimmerlin.de

[www.zimmerlin.de](http://www.zimmerlin.de)

**round pressure dome cover**

**over 10/-1 bar overpressure**

with approval acc. to PED 97/23/EG  
with ASME-approval (optional)

article No.	size (NW)	max. allowed working pressure in bar	max. allowed working temperature in ° C	number of screws M 16	length over all	radius of the lid	S in 1.4571	weight in kg
20102004	100	10	200	4	175	flat	24	9
20142004	100	40	200	4	175	flat	24	10
21502004	150	10	200	4	175	flat	24	13
21542004	150	40	200	4	175	flat	24	14
22102004	200	10	200	4	175	flat	24	19
22252006	200	25	200	6	175	flat	24	20
22402008	200	40	200	8	175	flat	24	22
22502004	250	10	200	4	175	flat	24	24
22552006	250	25	200	8	175	flat	24	27
22502010	250	40	200	10	175	flat	24	29
23102006	300	10	200	6	200	500	6	23
23162008	300	16	200	8	200	500	10	27
23251010	300	25	100	10	200	500	10	29
23502006	350	10	200	6	215	500	6	28
23562008	350	16	200	8	215	500	10	33
23552012	350	25	200	12	215	500	14	40
24102008	400	10	200	8	230	500	6	33
24162012	400	16	200	12	230	500	10	41
24252016	400	25	200	16	230	500	12	47
24502012	450	10	200	10	240	500	6	39
24562014	450	16	200	14	240	500	10	48
24550518	450	25	50	18	240	500	10	51
25102012	500	10	200	12	255	500	6	45
25151516	500	16	150	16	255	500	10	55
25202020	500	20	200	20	255	500	12	62
26102014	600	10	200	14	285	500	6	52
26161520	600	16	150	20	285	500	8	65
26200526	600	20	50	26	285	500	10	75
27102018	700	10	200	18	295	700	8	87
27161530	700	16	150	30	295	700	10	104
27205034	700	20	50	34	295	700	10	107
28102024	800	10	200	24	300	800	10	115
28120536	800	16	50	36	300	800	12	133
29101530	900	10	150	30	320	900	10	139
29120534	900	12	50	34	320	900	10	140
21100536	1000	10	50	36	340	1000	10	161
21120542	1000	12	50	42	340	1000	12	166

seals see page 12/13

**EDELSTAHL-TECHNIK**

zimmerlin GmbH    Telefon 07663/6088-0  
Frohmatenstr. 19    Telefax 07663/6088-88  
79268 Bötzingen    info@zimmerlin.de

[www.zimmerlin.de](http://www.zimmerlin.de)

1-bar cover

1/-1bar / 150°C

with/without approval acc. to PED 97/23/EG  
(ASME-approval possible)

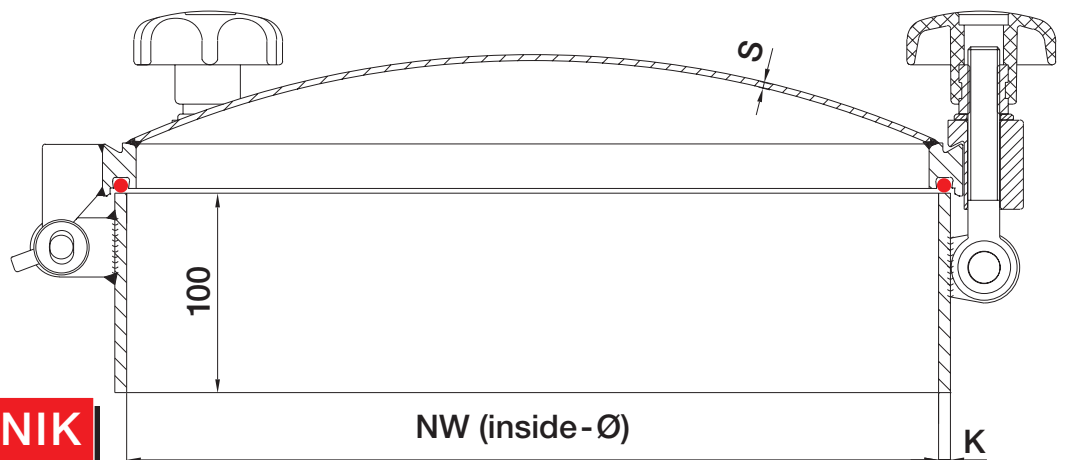


## standard design

- wetted material: 1.4571, optional: 1.4404  
metal parts 1.4301
- plastic handle with stainless steel sleeve (with PED)
- plastic handle with brass sleeve (without PED)
- silicone seal (blue)
- with hinge, with handle
- neck height 100 mm
- surface ungrinded, shot blasted,  
from size 600 ungrinded, pickled

## options

- materials: 1.4435 BN2, 1.4539, 1.4529, 1.4462, 1.4429, HC-22,  
HC-276, HC-2000, etc.
- intermediate sizes possible
- range of seals (page 12 – 13)
- surface finishes (shot blasted, pickled or grinded up to  $Ra < 0,2 \mu m$ )
- neck length up to 2000 mm, neck thickness up to 20 mm
- with conical neck (up to 8 mm thickness)
- various handles and screws: stainless steel handle, t-handle,  
collarnut (page 21)
- cover with swivel feature (page 21)
- cover with wedge for installation on the side of the vessel (page 21)
- locking pin (page 21)
- spring assist (torsion-, disc- or gas-springs) (page 21)
- welding of different fittings (sight-glasses acc. to DIN 28120 / 28117/  
11851, tri clamp ferrules etc.) (page 19 – 20)
- various limit switches
- safety grill and safety cross (page 22)
- metal parts in different materials
- etc.



EDELSTAHL-TECHNIK

zimmerlin GmbH    Telefon 07663/6088-0  
Frohmatenstr. 19    Telefax 07663/6088-88  
79268 Bötzingen    info@zimmerlin.de

[www.zimmerlin.de](http://www.zimmerlin.de)



**1-bar cover****1/-1bar / 150° C**with/without approval acc. to PED 97/23/EG  
(ASME-approval possible)**with PED 97/23/EG**

article No.	size (NW)	neck inside diameter	number of screws M16	neck thickness K	thickness of cover S	weight in kg
311 104T	<b>100</b>	111	4	6	3	7
315 104T	<b>150</b>	161	4	6	3	8,5
321 104T	<b>200</b>	211	4	6	3	10
325 104T	<b>250</b>	261	4	6	3	11
331 104T	<b>300</b>	311	4	6	3	13
335 104T	<b>350</b>	361	4	6	3	15,5
341 104T	<b>400</b>	411	4	6	3	18
345 104T	<b>450</b>	461	4	6	3	19,5
351 104T	<b>500</b>	511	4	6	3	21
361 104T	<b>600</b>	611	6	6	3	28
371 104T	<b>700</b>	707	6	8	3	37
381 104T	<b>800</b>	807	8	8	3	40
391 104T	<b>900</b>	907	8	8	4	70
301 104T	<b>1000</b>	1003	10	10	4	86

**without PED 97/23/EG**

article No.	size (NW)	neck inside diameter	number of screws M12	neck thickness K	thickness of cover S	weight in kg
311 104	<b>100</b>	111	4	6	3	7
315 104	<b>150</b>	161	4	6	3	8,5
321 104	<b>200</b>	211	4	6	3	10
325 104	<b>250</b>	261	4	6	3	11
331 104	<b>300</b>	311	4	6	3	13
335 104	<b>350</b>	361	4	6	3	15,5
341 104	<b>400</b>	411	4	6	3	18
345 104	<b>450</b>	461	4	6	3	19,5
351 104	<b>500</b>	511	4	6	3	21
361 104	<b>600</b>	611	6	6	3	28
371 104	<b>700</b>	707	6	8	3	37
381 104	<b>800</b>	807	8	8	3	40
391 104	<b>900</b>	907	8	8	4	70
301 104	<b>1000</b>	1003	10	10	4	86

seals see page 12/13

**EDELSTAHL-TECHNIK**

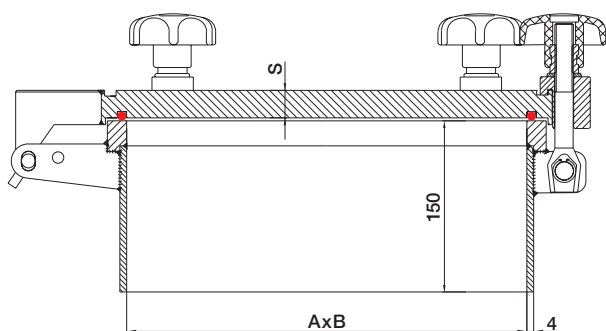
zimmerlin GmbH    Telefon 07663/6088-0  
 Frohmattenstr. 19    Telefax 07663/6088-88  
 79268 Bötzingen    info@zimmerlin.de

[www.zimmerlin.de](http://www.zimmerlin.de)

## oval pressure cover

up to 10/-1bar overpressure

with approval acc. to PED 97/23/EG  
with ASME-approval (optional)



## standard design

- wetted material: 1.4571, optional: 1.4404 metal parts 1.4301
- plastic handle with stainless steel sleeve
- silicone seal (blue)
- with hinge, with handle
- neck height 150 mm, neck thickness 4 mm
- surface ungrinded, pickled

## options

- materials: 1.4435 BN2, 1.4539, 1.4529, 1.4462, 1.4429, HC-22, HC-276, HC-2000, etc.
- intermediate sizes possible
- range of seals (page 12 – 13)
- different surfaces (shot blasted, pickled or grinded up to  $Ra < 0,2 \mu m$ )
- neck length up to 300 mm, neck thickness up to 10 mm
- various handles and screws: stainless steel handle, t-handle, collarnut (page 21)
- cover with swivel feature (page 21)
- cover with wedge for installation on the side of the vessel (page 21)
- locking pin (page 21)
- spring assist (torsion-, disc- or gas-springs) (page 21)
- welding of different fittings (sight-glasses acc. to DIN 28120 / 28117/ 11851, tri clamp ferrules etc.) (page 19 – 20)
- various limit switches
- safety grill and safety cross (page 22)
- metal parts in different materials
- etc.

article No.	A	B	max. allowed working pressure in bar	max. allowed working temperature in ° C	number of screws M16	height over all	S in 1.4571	weight in kg	price in EUR
2203042506	200	300	4	250	6	170	16	26	
2203062506	200	300	6	250	6	175	19	28	
2203002506	200	300	10	250	6	180	24	32	
2252552506	250	350	4	250	6	170	16	31	
2253562506	250	350	6	250	6	175	19	34	
2253502508	250	350	10	250	8	180	24	39	
2304042806	300	400	4	250	6	170	16	36	
2304062506	300	400	6	250	6	175	19	42	
2304002510	300	400	10	250	10	180	24	49	
2354542506	350	450	4	250	6	180	24	55	
2354562508	350	450	6	250	8	180	24	56	
2354502512	350	450	10	250	12	180	24	59	
2405042508	400	500	4	250	8	180	24	65	
2405062510	400	500	6	250	10	180	24	67	
2405002512	400	500	10	250	12	180	24	69	

## EDELSTAHL-TECHNIK

seals see page 12/13

zimmerlin GmbH Telefon 07663/6088-0  
Frohmatenstr. 19 Telefax 07663/6088-88  
79268 Bötzingen info@zimmerlin.de

www.zimmerlin.de

## standard design

- wetted material: 1.4571, optional: 1.4404 metal parts 1.4301
- with stainless steel blind hole nuts
- silicone seal (blue)
- with swivel feature
- neck height 120 mm, neck thickness 4 mm
- outlet diameter  $\varnothing$  40 mm
- surface ungrinded, shot blasted, from size 600 ungrinded, pickled

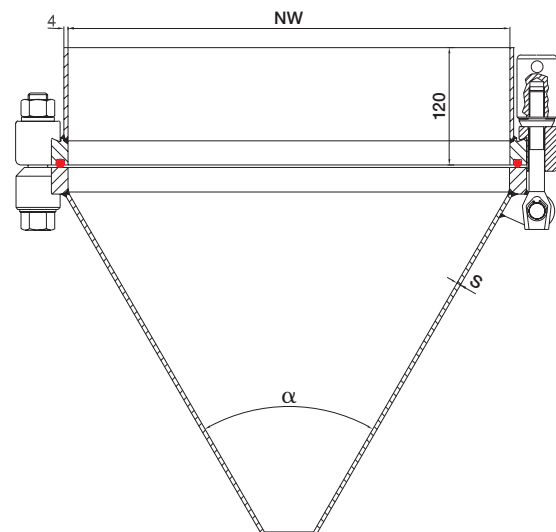
## options

- materials: 1.4435 BN2, 1.4539, 1.4529, 1.4462, 1.4429, HC-22, HC-276, HC-2000, etc.
- intermediate sizes available
- different opening angles available
- range of seals (page 12 – 13)
- surface finishes (shot blasted, pickled or grinded up to  $Ra < 0,2 \mu m$ )
- neck length up to 2000 mm, neck thickness up to 20 mm
- cover completely conical
- various handles: t-hole nuts, collar nuts etc. (page 21)
- different nozzle-outlets
- various limit switches
- metal parts in different materials
- etc.

## pressure cone cover

## up to 6/-1 bar overpressure

with approval acc. to PED 97/23/EG  
with ASME-approval (optional)



article No.	size (NW)/ $\alpha$	max. allowed working pressure in bar	max. allowed working temperature in $^{\circ}C$	number of screws M16	overall height	cone thickness S	weight in kg
230 060	300 / 60 $^{\circ}$	6	100	4	385	4	20
230 090	300 / 90 $^{\circ}$	6	100	4	275	4	20
240 060	400 / 60 $^{\circ}$	6	100	6	470	4	28
240 090	400 / 90 $^{\circ}$	6	100	6	325	4	28
245 060	450 / 60 $^{\circ}$	6	100	6	520	4	30
245 090	450 / 90 $^{\circ}$	6	100	6	350	4	30
250 060	500 / 60 $^{\circ}$	6	100	10	560	4	37
250 090	500 / 90 $^{\circ}$	6	100	10	375	4	37
260 060	600 / 60 $^{\circ}$	6	100	12	645	5	46
260 090	600 / 90 $^{\circ}$	6	100	12	425	5	46

seals see page 12/13

## EDELSTAHL-TECHNIK

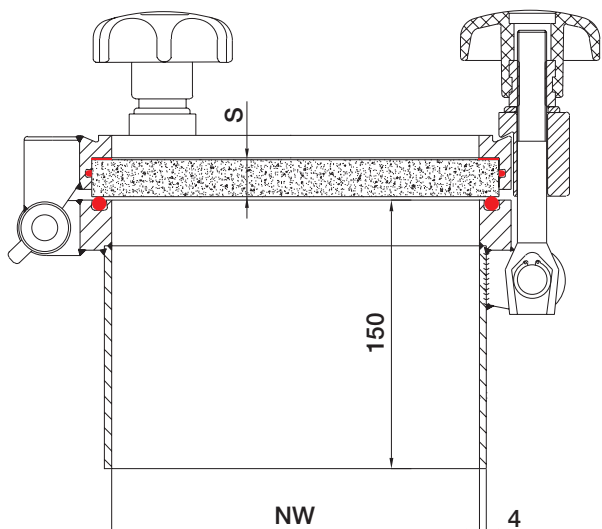
zimmerlin GmbH Telefon 07663/6088-0  
Frohmatenstr. 19 Telefax 07663/6088-88  
79268 Bötzingen info@zimmerlin.de

[www.zimmerlin.de](http://www.zimmerlin.de)

## pressure cover with glass pane

up to 12/-1 bar overpressure

with approval acc. to PED 97/23/EG  
with ASME-approval (optional)



## standard design

- wetted material: 1.4571, optional: 1.4404 metal parts 1.4301
- with borosilicate glass DIN 7080
- plastic handles with stainless steel handles
- silicone seal (blue)
- with hinge and handle
- neck height 150 mm, neck thickness 4 mm
- surface ungrinded shot blasted, from NW 600 ungrinded, pickled

## options

- materials: 1.4435 BN2, 1.4539, 1.4529, 1.4462, 1.4429, HC-22, HC-276, HC-2000, etc.
- intermediate sizes possible
- range of seals (page 12 – 13)
- surface finishes (shot blasted, pickled or grinded up to  $Ra < 0,2 \mu m$ )
- neck length up to 2000 mm, neck thickness up to 20 mm
- with conical neck (up to 8 mm thickness)
- various handles and screws: stainless steel handle, t-handle, collar nut (page 21)
- cover with swivel feature (page 21)
- cover with wedge for installation on the side of the vessel (page 21)
- locking pin (page 21)
- spring assist (torsion-, disc- or gas-springs) (page 21)
- various limit switches
- safety grill and safety cross (page 22)
- metal parts in different materials
- with wipers and lights
- etc.

article No.	size (NW)	max. allowed working pressure in bar	max. allowed working temperature in ° C	number of screws M16	size of glass pane	weight in kg
221 000	100	4	280	4	125 x 15	13
221 012	100	12	280	4	125 x 20	14
221 500	150	4	280	4	175 x 20	15
222 000	200	4	280	4	225 x 20	18
222 010	200	10	280	4	225 x 25	19
222 500	250	4	280	4	275 x 25	25
222 508	250	8	280	4	275 x 30	26
223 000	300	4	280	4	325 x 30	29
223 006	300	6	280	6	325 x 30	30
223 500	350	4	280	4	375 x 30	34
224 000	400	3	280	4	425 x 30	39
224 500	450	2,5	280	6	475 x 30	43
225 000	500	2	280	6	525 x 30	48
226 000	600	1	280	6	625 x 30	61

## EDELSTAHL-TECHNIK

seals see page 12/13

zimmerlin GmbH Telefon 07663/6088-0  
Frohmatenstr. 19 Telefax 07663/6088-88  
79268 Bötzingen info@zimmerlin.de

[www.zimmerlin.de](http://www.zimmerlin.de)



## standard design

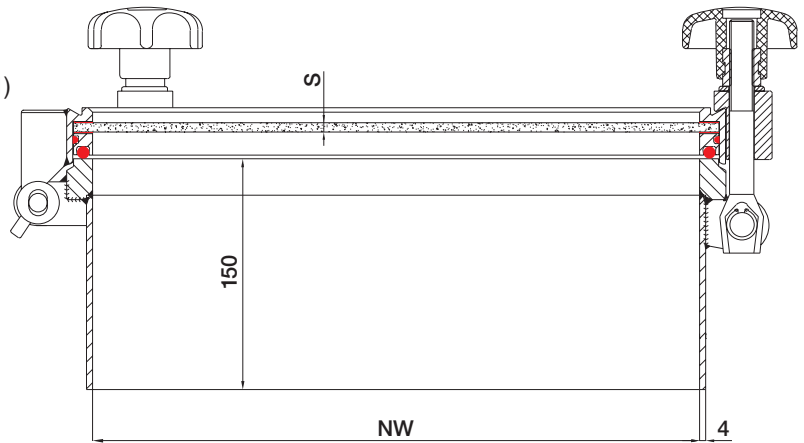
- wetted material: 1.4571, optional: 1.4404  
welded metal parts 1.4301
- with soda lime glass pane
- plastic handles with stainless steel sleeves
- silicone seal (blue)
- with hinge and handle
- neck height 150 mm, neck thickness 4 mm
- surface ungrinded shot blasted, from size 600  
ungrinded, pickled

## options

- materials: 1.4435 BN2, 1.4539, 1.4529, 1.4462, 1.4429, HC-22,  
HC-276, HC-2000, etc.
- intermediate sizes possible
- range of seals (page 12 – 13)
- surface finishes (shot blasted, pickled or grinded up to  $Ra < 0,2 \mu m$ )
- neck length up to 2000 mm, neck thickness up to 20 mm
- with conical neck (up to 8 mm thickness)
- various handles and screws: stainless steel handle, t-handle,  
collarnut (page 21)
- cover with swivel feature (page 21)
- locking pin (page 21)
- spring assist (torsion-, disc- or gas-springs) (page 21)
- various limit switches
- safety grill and safety cross (page 22)
- metal parts in different materials
- with wipers and lights
- etc.

pressureless glass pane cover

with soda lime glass pane



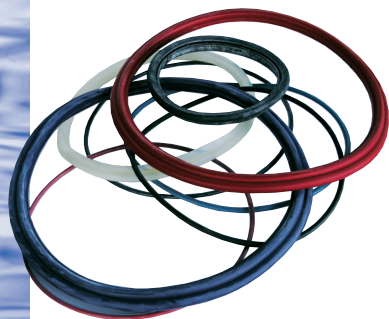
article No.	size (NW)	number of screws M16	thickness of glass pane	weight in kg
332 004	200	4	6	13
332 504	250	4	6	15
333 004	300	4	6	17
333 504	350	4	6	19
334 004	400	4	6	21
334 504	450	4	6	23
335 004	500	4	6	27
336 004	600	4	6	31

seals see page 12/13

EDELSTAHL-TECHNIK

zimmerlin GmbH    Telefon 07663/6088-0  
Frohmatenstr. 19    Telefax 07663/6088-88  
79268 Bötzingen    info@zimmerlin.de

[www.zimmerlin.de](http://www.zimmerlin.de)



O-Ring seals

size (NW)	silicone blue +180 / -50° C FDA	EPDM black +125 / -40° C FDA	Viton black +200 / -10° C
	article No.	article No.	article No.
100	201si	201ep	201vi
150	215si	215ep	215vi
200	220si	220ep	220vi
250	225si	225ep	225vi
300	230si	230ep	230vi
350	235si	235ep	235vi
400	240si	240ep	240vi
450	245si	245ep	245vi
500	250si	250ep	250vi
600	260si	260ep	260vi
700	270si	270ep	270vi
800	280si	280ep	280vi
900	290si	290ep	290vi
1000	210si	210ep	210vi

encapsulated FEP-/PFA O-Ring seals

size (NW)	FEP-silicone FEP-encapsulated +204 / -60° C coat: transparent core: red FDA	FEP-Viton FEP-encapsulated +204 / -20° C coat: transparent core: black FDA	PFA-silicone PFA-encapsulated +260 / -60° C coat: transparent core: red FDA
	article No.	article No.	article No.
100	201fes	201fev	201pfa
150	215fes	215fev	215pfa
200	220fes	220fev	220pfa
250	225fes	225fev	225pfa
300	230fes	230fev	230pfa
350	235fes	235fev	235pfa
400	240fes	240fev	240pfa
450	245fes	245fev	245pfa
500	250fes	250fev	250pfa
600	260fes	260fev	260pfa
700	270fes	270fev	270pfa
800	280fes	280fev	280pfa
900	290fes	290fev	290pfa
1000	210fes	210fev	210pfa

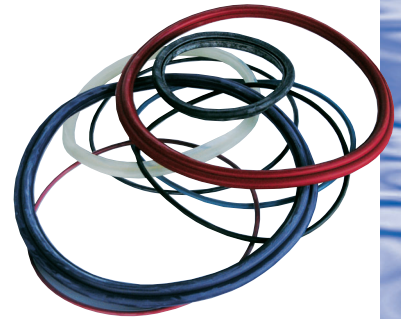
EDELSTAHL-TECHNIK

zimmerlin GmbH    Telefon 07663/6088-0  
 Frohmattenstr. 19    Telefax 07663/6088-88  
 79268 Bötzingen    info@zimmerlin.de

[www.zimmerlin.de](http://www.zimmerlin.de)

**P-Profile-seals for pressure covers**

size (NW)	silicone transparent +180 / -60° C FDA	EPDM black +95 / -35° C FDA
	article No.	article No.
100	201sip	201epp
150	215sip	215epp
200	220sip	220epp
250	225sip	225epp
300	230sip	230epp
350	235sip	235epp
400	240sip	240epp
450	245sip	245epp
500	250sip	250epp
600	260sip	260epp
700	270sip	270epp
800	280sip	280epp
900	290sip	290epp
1000	210sip	210epp



**seal-set and replacement glasspane for pressure glass cover**

consists of: flat-seal (Klingersil; atmospheric) and holding seal for glasspane (silicone),  
wetted seal see O-Ring seals page 11

size (NW)	article No. seal-set	dimension of holding seal	dimension of flat seal	article No. replacement glasspane	dimension of replacement glasspane
100	221 000 D	Ø 4 mm x 390 mm	Ø 125 x Ø 100 x 1,5	221015	Ø 125 x 15
100	-----	-----	-----	221020	Ø 125 x 20
150	221 500 D	Ø 4 mm x 460 mm	Ø 175 x Ø 150 x 1,5	221520	Ø 175 x 20
200	222 000 D	Ø 4 mm x 610 mm	Ø 225 x Ø 200 x 1,5	222020	Ø 225 x 20
200	-----	-----	-----	222025	Ø 225 x 25
250	222 500 D	Ø 4 mm x 760 mm	Ø 275 x Ø 250 x 1,5	222525	Ø 275 x 25
250	-----	-----	-----	222530	Ø 275 x 30
300	223 000 D	Ø 4 mm x 920 mm	Ø 325 x Ø 300 x 1,5	223030	Ø 325 x 30
350	223 500 D	Ø 4 mm x 1050 mm	Ø 375 x Ø 350 x 1,5	223530	Ø 375 x 30
400	224 000 D	Ø 4 mm x 1230 mm	Ø 425 x Ø 400 x 1,5	224030	Ø 425 x 30
450	224 500 D	Ø 4 mm x 1390 mm	Ø 475 x Ø 450 x 1,5	224530	Ø 475 x 30
500	225 000 D	Ø 4 mm x 1550 mm	Ø 525 x Ø 500 x 1,5	225030	Ø 525 x 30
600	226 000 D	Ø 4 mm x 1850 mm	Ø 625 x Ø 600 x 1,5	226030	Ø 625 x 30

**seal-set and replacement glasspane for pressure glass**

consists of: 2 x flat-seals (Klingersil) and holding seal for holding ring (silicone),  
wetted seals see O-Ring-seals page 11

size (NW)	article No. seal-set	dimension of holding seal	dimension of flat seal	article No. replacement glasspane	article No. replacement glasspane	price in EUR
200	332 004 D	Ø 225 x Ø 200 x 1,5	Ø 225 x Ø 200 x 1,5	33206	Ø 224 x 6	70 €
250	332 504 D	Ø 275 x Ø 200 x 1,5	Ø 275 x Ø 250 x 1,5	33256	Ø 274 x 6	76 €
300	333 004 D	Ø 325 x Ø 200 x 1,5	Ø 325 x Ø 300 x 1,5	33306	Ø 324 x 6	89 €
350	333 504 D	Ø 375 x Ø 200 x 1,5	Ø 375 x Ø 350 x 1,5	33356	Ø 374 x 6	98 €
400	334 004 D	Ø 425 x Ø 200 x 1,5	Ø 425 x Ø 400 x 1,5	33406	Ø 424 x 6	113 €
450	334 504 D	Ø 475 x Ø 200 x 1,5	Ø 475 x Ø 450 x 1,5	33456	Ø 474 x 6	121 €
500	335 504 D	Ø 525 x Ø 200 x 1,5	Ø 525 x Ø 500 x 1,5	33506	Ø 524 x 6	141 €
600	336 004 D	Ø 625 x Ø 200 x 1,5	Ø 625 x Ø 600 x 1,5	33606	Ø 624 x 6	158 €

**EDELSTAHL-TECHNIK**

zimmerlin GmbH    Telefon 07663/6088-0  
Frohmatenstr. 19    Telefax 07663/6088-88  
79268 Bötzingen    info@zimmerlin.de

[www.zimmerlin.de](http://www.zimmerlin.de)

## pressureless-dome cover



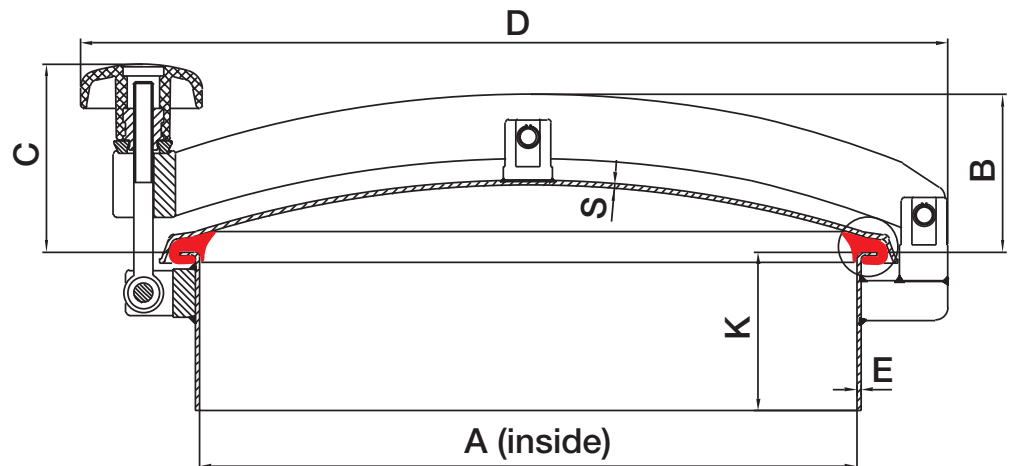
size (NW)	A	B	C	D	E	S
100	100	60	110	230	2	2
150	150	65	110	280	2	2
200	200	70	110	335	2	2
300	298	85	120	440	2,5	2
400	415	100	120	550	2,5	2
500	505	125	120	650	2,5	2
600	600	140	120	740	2,5	2
800	810	140	120	950	3	2,5

## standard design

- wetted material: 1.4571, optional: 1.4404  
metal parts 1.4301
- plastic handle with brass sleeves (M12)
- silicone seal (transparent)
- hinged lid
- surface: ungrinded, electro-polished,  
from size 600 ungrinded, pickled

## options

- range of seals (page 12 – 13)
- various handles and screws: stainless steel handle, t-handle,  
collarnut (page 21)
- with swivel feature (extra charge 15 € nett)
- welding of different fittings (sight-glasses acc. to DIN 28120 / 28117/  
11851, tri-clamp-ferrules etc.) (page 19 – 20)
- various limit switches
- safety grill and safety cross (page 22)
- surface finishes (shot blasted, pickled or grinded until  $Ra < 0,2 \mu m$ )
- metal parts in different materials
- etc.



seal detail  
NW200-800



seal detail  
NW100-150



## EDELSTAHL-TECHNIK

zimmerlin GmbH    Telefon 07663/6088-0  
Frohmatenstr. 19    Telefax 07663/6088-88  
79268 Bötzingen    info@zimmerlin.de

[www.zimmerlin.de](http://www.zimmerlin.de)



article No.	size (NW)	neck length K	weight in kg
310 600	100	60	2,4
311 000	100	100	2,6
longer neck per 50 mm			
315 600	150	60	2,6
315 000	150	100	2,8
longer neck per 50 mm			
320 600	200	60	3,3
321 000	200	100	3,5
longer neck per 50 mm			
330 600	300	60	5,5
331 000	300	100	6
longer neck per 50 mm			
341 000	400	100	10
341 500	400	150	11
342 000	400	200	12,5
longer neck per 50 mm			
351 000	500	100	11,7
351 500	500	150	13,7
352 000	500	200	15,6
longer neck per 50 mm			
361 000	600	100	16
361 500	600	150	18,5
362 000	600	200	21
longer neck per 50 mm			
381 000	800	100	31
381 500	800	150	34
381 000	800	200	38
longer neck per 50 mm			

seals for pressureless dome cover

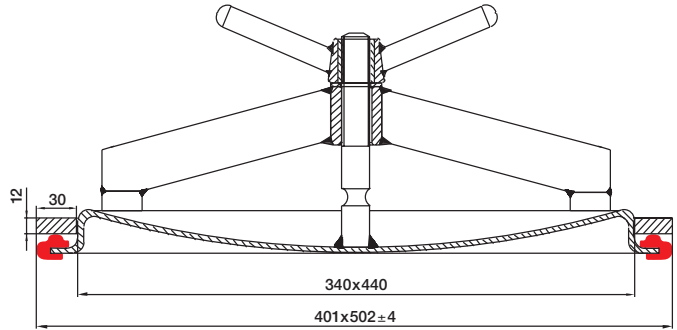
silicone-seals transparent / 135° C FDA		EPDM-seals black +75 / -20° C FDA	
article No.	size (NW)	article No.	size (NW)
310si	100	310ep	100
315si	150	315ep	150
320si	200	320ep	200
330si	300	330ep	300
340si	400	340ep	400
350si	500	350ep	500
360si	600	360ep	600
380si	800	380ep	800

Perbunan-seals black +100 / -30° C		Viton-seals black +210 / -20° C	
article No.	size (NW)	article No.	size (NW)
310pe	100	310vi	100
315pe	150	315vi	150
320pe	200	320vi	200
330pe	300	330vi	300
340pe	400	340vi	400
350pe	500	350vi	500
360pe	600	360vi	600
380pe	800	380vi	800

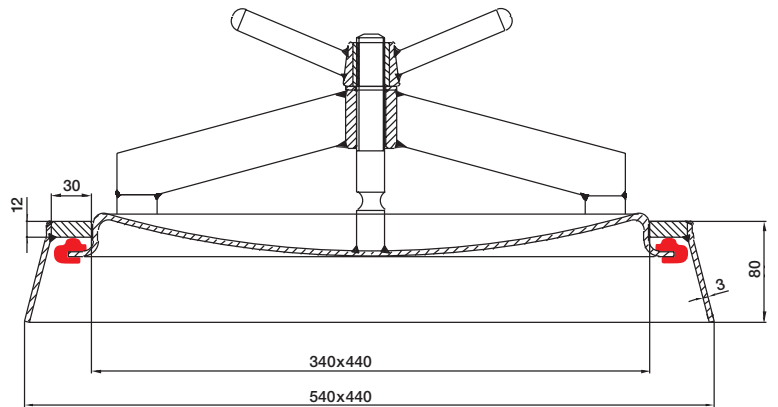
# oval manhole cover 340x440

4 bar / 250° C; 5 bar / 150° C; 6 bar / 50° C

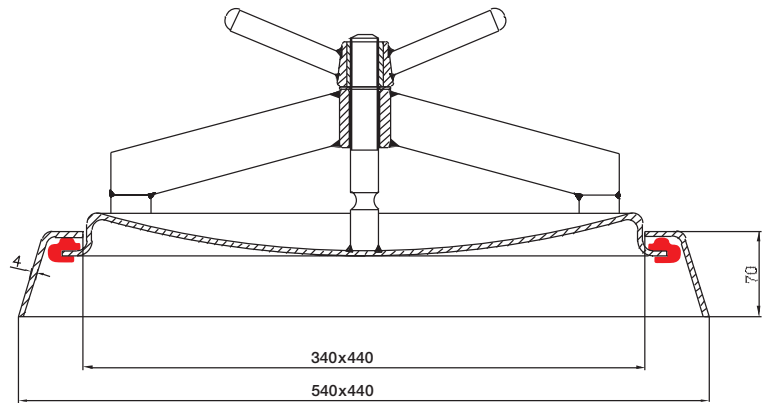
with/without EC type-examination acc. to PED 97/23/EG  
with ASME-Abnahme (optional)



picture 1 parts 1-6

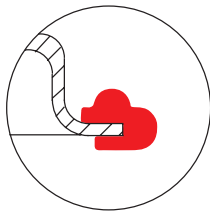


picture 2 parts 1-5 + 10

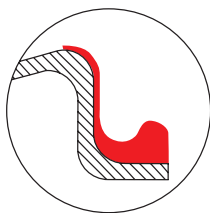


picture 3 parts 1-5 + 11

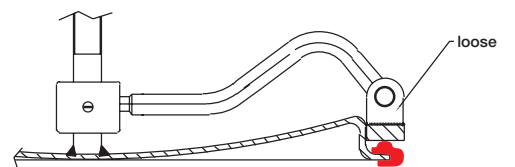
„loose“  
seal detail



vulcanized  
seal detail



swivel feature



picture 4 part 7-9

## EDELSTAHL-TECHNIK

zimmerlin GmbH    Telefon 07663/6088-0  
Frohmatenstr. 19    Telefax 07663/6088-88  
79268 Bötzingen    info@zimmerlin.de

[www.zimmerlin.de](http://www.zimmerlin.de)

## standard design

- wetted material: 1.4571  
metal parts 1.4301
- stainless steel t-handle with brass sleeve and brass washer
- natural rubber seal (dark red)

## ovale manhole cover 340x440

4 bar / 250° C; 5 bar / 150° C; 6 bar / 50° C

### with EC type-examination acc. to PED 97/23/EG

article No.	description	weight in kg
101 406	manway cover (lid: 4 mm thick), with ring 30 x 12 mm without swivel feature (picture 1)	11,7
101 406K	manway cover (lid: 4 mm thick), with neck 3 x 80 mm ungrinded, pickled, without swivel feature (picture 2)	13,0
101 409	manway cover (lid: 4 mm thick), with ring 30 x 12 mm with swivel feature (picture 1+4)	12,2
101 409K	manway cover (lid: 4 mm thick), with neck 3 x 80 mm ungrinded, pickled, with swivel feature (picture 2+4)	14,0

### without EC type-examination acc. to PED 97/23/EG

article No.	description	weight in kg
100 306	manway cover (lid: 3 mm thick), with ring 30 x 12 mm without swivel feature (picture 1)	11,0
100 306K	manway cover (lid: 3 mm thick), with neck 3 x 80 mm ungrinded, pickled, without swivel feature (picture 2)	12,3
100 306P	manway cover (lid: 3 mm thick), with neck 4 x 70 mm ungrinded, pickled, without swivel feature (picture 3)	12,0
100 309	manway cover (lid: 3 mm thick), with ring 30 x 12 mm with swivel feature (picture 1+4)	11,7
100 309K	manway cover (lid: 3 mm thick), with neck 3 x 80 mm ungrinded, pickled, with swivel feature (picture 2+4)	14,0
100 309P	manway cover (lid: 3 mm thick), with neck 4 x 70 mm ungrinded, pickled, with swivel feature (picture 3+4)	12,7

## seals and spare parts

article No.	kind of seal	temperature	vulcanized
102 000	natural rubber, food quality (dark red)	70° C / -50° C	
102 0si	silicone seal, food quality (light red)	200° C / -60° C	
102 0ep	EPDM-seal, food-quality (violet)	120° C / -50° C	
102 0pe	perbunan (NBR) seal, food-quality (red)	90° C / -35° C	
102 0vi	viton seal, food-quality (brown)	200° C / -15° C	

article No.	description	
101 300	stainless steel oval manhole cover 340 x 440 mm	3 mm stark
101 400	including threat bolt M22 x 170 mm long	4 mm stark
103 022	stainless steel t-handle M16 - M24	
104 340	stainless steel shackle 340 x 440 mm	
106 012	stainless steel ring 30 x 12	
112 312	stainless steel neck (ring 30 x 12), 3 mm thick x 80 mm long	
113 470	stainless steel pressed neck, 4 mm thick x 70 mm long	
107	stainless steel swivel feature	

## EDELSTAHL-TECHNIK

zimmerlin GmbH    Telefon 07663/6088-0  
Frohmatenstr. 19    Telefax 07663/6088-88  
79268 Bötzingen    info@zimmerlin.de

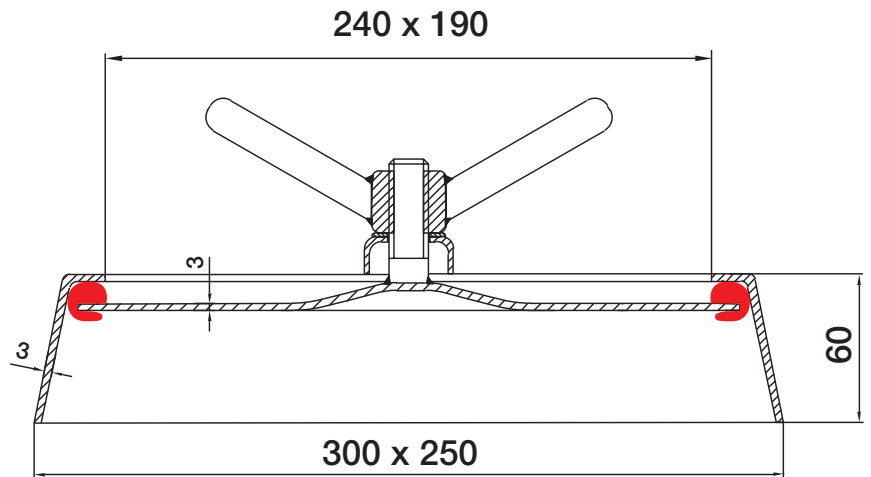
[www.zimmerlin.de](http://www.zimmerlin.de)

oval handhole-cover

for pressureless use

standard design

- wetted material: 1.4571  
metal parts 1.4301
- with stainless steel t-handles
- silicone seal (transparent)
- surface: ungrinded, electropolished



article No.	description	weight in kg
110 306	stainless steel oval handhole cover with silicone seal	4
120 306	stainless steel oval handhole cover with EPDM seal	4

### seals

article No.	description
321si	silicone seal
321ep	EPDM-seal

EDELSTAHL-TECHNIK

zimmerlin GmbH    Telefon 07663/6088-0  
Frohmatenstr. 19    Telefax 07663/6088-88  
79268 Bötzingen    info@zimmerlin.de

[www.zimmerlin.de](http://www.zimmerlin.de)

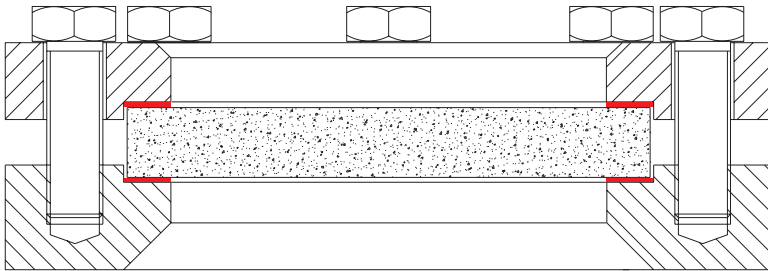


## standard design

- materials: 1.4571/1.4404 (welded part)  
1.4541 (screwed part)
- with screws and hex nuts
- with Klingersil seals
- with borosilicate glass DIN 7080

## options

- Werkstoffe: 1.4435 BN2, 1.4539, 1.4529, 1.4462, 1.4429, HC-22, HC-276, HC-2000, etc.
- various technical standards
- different glass materials
- range of seals



## sight glass (bolted type)

DIN 28120



article No.	size (NW)	weight in kg	glass pane
200 50	50	5,5	Ø 100 x 15
200 80	80	6,0	Ø 125 x 15
201 00	100	11,0	Ø 150 x 20
201 25	125	14,0	Ø 175 x 20
201 50	150	21,0	Ø 200 x 20
202 00	200	32,0	Ø 250 x 25

## spare parts

description	NW50 article No.	NW80 article No.	NW100 article No.	NW125 article No.	NW150 article No.	NW200 article No.
sight glass flange (lower part welded in)	200 503	200 803	201 003	201 253	201 503	202 003
sight glass flange (lower part loose)	200 503	200 803	201 003	201 253	201 503	202 003
blockflange (upper part)	200 505	200 805	201 005	201 255	201 505	202 005
borosilicate glass pane DIN 7080	200 501	200 801	201 001	201 251	201 501	202 001
Klingersil seals	200 502Kli	200 802Kli	201 001Kli	201 252Kli	201 502Kli	202 002Kli
Teflon seals	200 502Tef	200 802Tef	201 001Tef	201 252Tef	201 502Tef	202 002Tef

## EDELSTAHL-TECHNIK

zimmerlin GmbH  
Frohmatenstr. 19  
79268 Bötzingen

Telefon 07663/6088-0  
Telefax 07663/6088-88  
info@zimmerlin.de

[www.zimmerlin.de](http://www.zimmerlin.de)

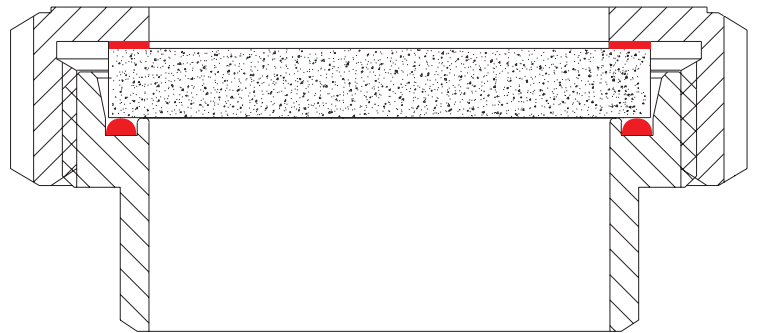
## sight glass (screwed type)

**DIN 11851**



## standard design

- materials: 1.4571/1.4404 (threaded ferrule)  
1.4301 (cap nut)
- Perbunan-/Teflon seals
- threaded ferrule acc. to AD-W2 (old technical standard)
- borosilicate glass DIN 7080
- different materials



article No.	size (NW)	weight in kg	glass pane
210 40	40	0,6	50 x 10
210 50	50	0,8	63 x 10
210 65	65	1,3	80 x 12
210 80	80	1,8	94 x 12
211 00	100	2,5	113 x 15
211 25	125	3,2	142 x 15
211 50	150	3,8	166 x 15

## spare parts

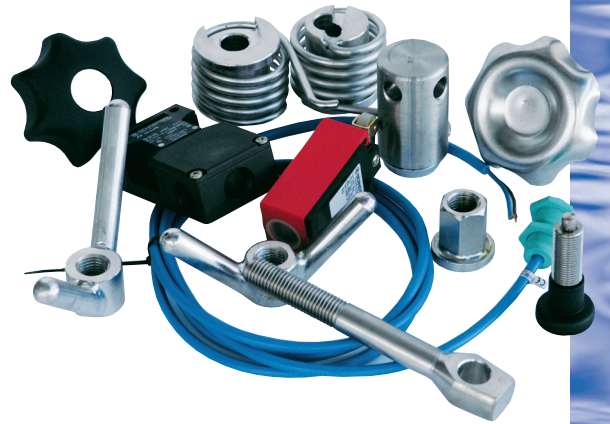
description	NW40 article No.	NW50 article No.	NW65 article No.	NW80 article No.	NW100 article No.	NW125 article No.	NW150 article No.
threaded ferrule (loose)	2040	2050	2065	2080	2100	2125	2150
threaded ferrule (welded in)	2040	2050	2065	2080	2100	2125	2150
cap nut	2040 1	2050 1	2065 1	2080 1	2100 1	2125 1	2150 1
borosilicate glass DIN 7080	210 401	210 501	210 651	210 801	211 001	211 251	211 501
Teflon seals (athmospheric)	210 402Te	210 502Te	210 652Te	210 802Te	211 002Te	211 252Te	211 502Te
Perbunan seals (wetted)	210 403KI	210 503KI	210 653KI	210 803KI	211 003KI	211 253KI	211 503KI
Teflon seals (wetted)	210 403Te	210 503Te	210 653Te	210 803 Te	211 003Te	211 253Te	211 503Te

## EDELSTAHL-TECHNIK

zimmerlin GmbH    Telefon 07663/6088-0  
Frohmatenstr. 19    Telefax 07663/6088-88  
79268 Bötzingen    info@zimmerlin.de

[www.zimmerlin.de](http://www.zimmerlin.de)

## spare parts and fittings



## screws and various handles

article No.	description	Abmessung
2200 125	swing pin complete for pressure dome cover	M 16 x 125
2200 135	swing pin complete for pressure dome cover	M 16 x 135
2210	swing pin complete for 1-bar cover (TÜV-approved)	M 16 x 110
3200	swing pin complete for pressureless dome cover	M 12 x 135
3210	swing pin complete for 1-bar cover (non TÜV-approved)	M 12 x 110
2015 125	eye bolt for pressure dome cover	M 16 x 125
2015 135	eye bolt for pressure dome cover	M 16 x 135
2115	eye bolt for 1-bar cover (TÜV-approved)	M 16 x 110
3015 110	eye bolt for 1-bar cover (non TÜV-approved)	M 12 x 110
3015 135	eye bolt for 1-bar cover (non TÜV-approved)	M 12 x 135
2016	plastic handle M 16	M 16
3016	plastic handle M 12 with knurl-disc	M 12
2022	stainless steel handle M 16	M 16
3022	stainless steel handle M 12	M 12
2023	stainless steel t-handle	M 16 / M 12
2031	stainless steel collar nut	M 16 / M 12
2024	stainless steel blind hole nut	M 16

## spare parts, spring assists and locking pin

article No.	description
2025	extra charge for swivel feature for pressure covers
2011	swivel feature for pressure dome cover
2026	wedge for installation on the side of the vessel
2028	single spring assist with torsion springs
2030	single spring assist with disc springs
2028d	double spring assist with torsion springs (> NW 600)
2030d	double spring assist with disc springs (> NW 600)
2029	locking pin with plastic handle
2025k	hinge for pressure dome cover, complete with butt straps and bolt
20251k	hinge for 1-bar cover, complete with butt straps and bolt

## EDELSTAHL-TECHNIK

**zimmerlin GmbH**    Telefon 07663/6088-0  
 Frohmattenstr. 19    Telefax 07663/6088-88  
 79268 Bötzingen      info@zimmerlin.de

[www.zimmerlin.de](http://www.zimmerlin.de)

## safety grill and safety cross



## standard design

- material: 1.4301
- surface, ungrinded, pickled

### safety grill

article No.	description	size	dimension
30110	stainless steel safety grill	NW 100	wire 4 mm, 20 x 20
31510	stainless steel safety grill	NW 150	wire 4 mm, 20 x 20
32010	stainless steel safety grill	NW 200	wire 4 mm, 20 x 20
32510	stainless steel safety grill	NW 250	wire 4 mm, 20 x 20
33010	stainless steel safety grill	NW 300	wire 4 mm, 20 x 20
33510	stainless steel safety grill	NW 350	wire 4 mm, 20 x 20
34010	stainless steel safety grill	NW 400	wire 4 mm, 20 x 20
34510	stainless steel safety grill	NW 450	wire 4 mm, 20 x 20
35010	stainless steel safety grill	NW 500	wire 4 mm, 20 x 20
36010	stainless steel safety grill	NW 600	wire 4 mm, 20 x 20
37010	stainless steel safety grill	NW 700	wire 4 mm, 20 x 20
38010	stainless steel safety grill	NW 800	wire 4 mm, 20 x 20
39010	stainless steel safety grill	NW 900	wire 4 mm, 20 x 20
31010	stainless steel safety grill	NW 1000	wire 4 mm, 20 x 20

### safety cross

article No.	description	size	dimension
30111	stainless steel safety cross	NW 100	flat steel 30 x 12
31511	stainless steel safety cross	NW 150	flat steel 30 x 12
32011	stainless steel safety cross	NW 200	flat steel 30 x 12
32511	stainless steel safety cross	NW 250	flat steel 30 x 12
33011	stainless steel safety cross	NW 300	flat steel 30 x 12
33511	stainless steel safety cross	NW 350	flat steel 30 x 12
34011	stainless steel safety cross	NW 400	flat steel 30 x 12
34511	stainless steel safety cross	NW 450	flat steel 30 x 12
35011	stainless steel safety cross	NW 500	flat steel 30 x 12
36011	stainless steel safety cross	NW 600	flat steel 30 x 12
37011	stainless steel safety cross	NW 700	flat steel 30 x 12
38011	stainless steel safety cross	NW 800	flat steel 30 x 12
39011	stainless steel safety cross	NW 900	flat steel 30 x 12
31011	stainless steel safety cross	NW 1000	flat steel 30 x 12

## EDELSTAHL-TECHNIK

zimmerlin GmbH    Telefon 07663/6088-0  
Frohmatenstr. 19    Telefax 07663/6088-88  
79268 Bötzingen    info@zimmerlin.de

[www.zimmerlin.de](http://www.zimmerlin.de)



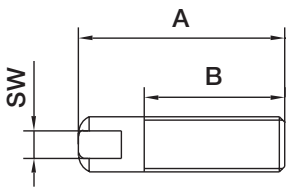
## standard design

- material 1.4301
- cold pressed and rolled thread (not mashed)

## tank feet

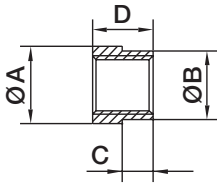


## threaded spindle rolled



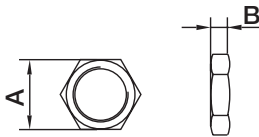
article No.	size	A	B	with across flats	loading capacity	weight in kg	for 50 mm longer
406 00 12	1/2"	100	70	19	4	0,2	
406 00 34	3/4"	100	70	22	6	0,4	
406 01 00	1"	120	84	26	8	0,7	
406 01 14	1 1/4"	150	112	36	15	1,5	
406 01 12	1 1/2"	150	112	40	19	1,9	

## collar socket



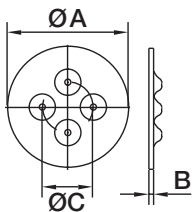
article No.	size	A	B	C	D	weight in kg
416a 012	1/2"	35	29	13	27	0,1
416a 034	3/4"	40	32	14	30	0,2
406a 100	1"	45	38,5	17	35	0,2
406a 114	1 1/4"	56	48,5	19	40	0,3
406a 112	1 1/2"	63	53,5	24	50	0,4

## check nut



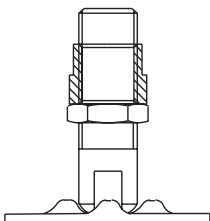
article No.	size	A	B	weight in kg
406b 012	1/2"	32	8	0,1
406b 034	3/4"	36	9	0,1
406b 100	1"	41	11	0,2
406b 114	1 1/4"	50	12	0,2
406b 112	1 1/2"	60	15	0,2

## cup plate with securing dimples



article No.	size	A	B	C	weight in kg
407 123	1"	120	3	32	0,3
407 120	1"	120	5	32	0,4
407 160	1 1/2"	160	8	50	1,2

## complete assembly



article No.	size	dimension of plate	weight in kg
416 012	1/2"	120 x 3 mm	0,7
416 034	3/4"	120 x 3 mm	1,1
406 100	1"	120 x 5 mm	1,5
406 101	1"	160 x 8 mm	2,3
406 114	1 1/4"	160 x 8 mm	3,2
406 112	1 1/2"	160 x 8 mm	3,7

## EDELSTAHL-TECHNIK

zimmerlin GmbH Telefon 07663/6088-0  
Frohmatenstr. 19 Telefax 07663/6088-88  
79268 Bötzingen info@zimmerlin.de

[www.zimmerlin.de](http://www.zimmerlin.de)

1. Der Verkauf bzw. die Lieferung erfolgt ab Werk, sofern anderes nicht ausdrücklich vereinbart ist zu den für den Tag der Lieferung bzw. der angezeigten Verkaufsbereitschaft gültigen Preise bzw. Preisliste. Die Preise verstehen sich bei Lieferungen innerhalb Deutschland zuzüglich Mehrwertsteuer.  
Die Verpackung wird zum Selbstkostenpreis berechnet, soweit nicht anderes vereinbart ist.
2. Sofern nicht andere Zahlungsbedingungen von uns schriftlich zugesagt wurden, sind Rechnungen innerhalb 30 Tagen ab Rechnungsdatum ohne Abzug von Skonto zahlbar. Für Zahlungen innerhalb 10 Tagen ab Rechnungsdatum gewähren wir 2 % Skonto.  
Für Rechnungsbeträge unter 25,00 € wird kein Skonto gewährt.  
Wird die Zahlungsfrist nicht eingehalten, so ist die Lieferfirma berechtigt, Verzugszinsen und Mahnkosten geltend zu machen. Der Zinssatz richtet sich nach § 288 BGB i. V. m. §247 BGB. Die Geltendmachung eines höheren Verzugs Schadens bleibt vorbehalten.  
Bei Rechnungsstellung unter 25,00 € wird eine Bearbeitungsgebühr von mindestens 5,00 € erhoben.
3. Angegebene Lieferzeiten beziehen sich auf die Kalenderwoche der Versendung. Sie sind unverbindlich, sofern sie nicht ausdrücklich als verbindliche bezeichnet werden. Die Lieferfirma verpflichtet sich jedoch nach Möglichkeit die angegebenen Lieferzeiten einzuhalten.  
Ereignisse höherer Gewalt sowie von der Lieferfirma nicht zu vertretender Verzug von Zulieferfirmen berechtigen die Lieferfirma als verbindlich bezeichnete Lieferfristen soweit hinauszuschieben, bis die von der Lieferfirma nicht zu vertretenden Lieferhindernisse beseitigt sind oder vom Vertrag ganz oder teilweise zurückzutreten. Teillieferungen sind zulässig.
4. Eine Beschaffenheit ist nur dann als „vereinbarte Beschaffenheit“ geschuldet, wenn dies in unseren Auftragsbedingungen ausdrücklich ausgewiesen ist. Dasselbe gilt für Sonder(-Werks-)Normen des Bestellers.  
Soweit die Beschaffenheit nicht ausdrücklich vereinbart ist, ist die Beschaffenheit für die gewöhnliche Verwendung geschuldet.  
Beschaffenheits- und Haltbarkeitsgarantien werden nur bei ausdrücklicher Vereinbarung übernommen.
5. Der Besteller ist verpflichtet, uns offensichtliche Mängel unverzüglich nach Empfang der Ware schriftlich mitzuteilen. Acht Tage nach Empfang gilt die Ware als vorbehaltlos übernommen, wenn keine Mängelanzeige schriftlich eingegangen ist. Mängel, die auch bei sorgfältiger Überprüfung innerhalb dieser Frist nicht entdeckt wurden, sind unverzüglich nach Feststellung schriftlich in substantiiertem Form mitzuteilen.  
Im Falle einer Mitteilung des Bestellers, dass unsere Lieferung mangelhaft ist, sind wir berechtigt zu verlangen, dass uns die beanstandeten Produkte zur Nachbesserung und anschließender Rücksendung zugeschickt werden.  
Lässt sich der Fehler nicht beseitigen oder scheitert eine zweimalige Nachbesserung, dann kann der Besteller bei begründeten fristgerechten Beanstandungen nach seiner Wahl Herabsetzung der Vergütung verlangen oder vom Vertrag zurücktreten. Dieses Verlangen muss innerhalb einer Frist von vier Wochen schriftlich bei uns eingehen, sobald der Besteller Kenntnis davon hat, dass die Fehlerbeseitigung nicht möglich ist. Andernfalls können weitere Ansprüche gegen uns nicht geltend gemacht werden.  
Schadensersatzansprüche einschließlich Aufwendungsersatzansprüche gegen uns, unsere Erfüllungs- und Verrichtungsgehilfen, gleich aus welchem Rechtsgrund und gleich welcher Art, insbesondere aus Verschulden bei Vertragsverhandlungen, aus Verzug, wegen Pflichtverletzung oder aus unerlaubter Handlung, sind ausgeschlossen, soweit nicht vorsätzlich oder grob fahrlässig Handeln vorliegt oder Schäden aus der Verletzung von Leben, Körper oder Gesundheit entstanden sind.  
Die Verjährungsfrist für die Mängelhaftung beträgt ein Jahr.
6. Bis zur Erfüllung aller Forderungen (einschließlich sämtlicher Saldoforderungen aus Kontokorrent), die uns aus jedem Rechtsgrund gegen den Besteller jetzt oder künftig zustehen, werden uns folgende Sicherheiten gewährt, die wir auf Verlangen nach unserer Wahl freigeben werden, soweit ihr Wert die Forderungen nachhaltig um nicht mehr als 20 % übersteigt.  
Die Ware bleibt unser Eigentum. Eine eventuelle Verarbeitung oder Umarbeitung erfolgt stets für uns als Hersteller, ohne Verpflichtung für uns. Erlischt unser (Mit-)Eigentum durch Verbindung, so wird bereits jetzt vereinbart, dass das (Mit-)Eigentum des Bestellers an der einheitlichen Sache wertanteilmäßig (Rechnungswert) auf uns übergeht. Der Besteller bewahrt unser (Mit-)Eigentum unentgeltlich. Ware, an der uns (Mit-)Eigentum zusteht, wird im folgenden als Vorbehaltsware bezeichnet.  
Der Besteller ist berechtigt, die Vorbehaltsware im ordnungsgemäßen Geschäftsverkehr zu verarbeiten und zu veräußern, solange er nicht in Verzug ist. Verpfändungen oder Sicherungsübereignungen sind unzulässig. Die aus dem Weiterverkauf oder einem sonstigen Rechtsgrund (Versicherung, unerlaubte Handlung) bezüglich der Vorbehaltsware entstehenden Forderungen tritt der Besteller schon jetzt sicherungshalber in vollem Umfang an uns insoweit ab, als von uns dem Besteller übersandte Rechnungen nicht bezahlt worden sind. Der Besteller wird von uns unwiderruflich ermächtigt, die an uns abgetretenen Forderungen im eigenen Namen einzuziehen. Diese Einziehungsermächtigung kann nur widerrufen werden, wenn der Käufer seinen Zahlungsverpflichtungen nicht nachkommt.  
Bei Zugriffen Dritter auf die Vorbehaltsware muss der Besteller auf unser Eigentum hinweisen und uns unverzüglich benachrichtigen.  
Bei vertragswidrigem Verhalten des Bestellers – insbesondere Zahlungsverzug – sind wir berechtigt, die Vorbehaltsware zurückzunehmen oder die Abtretung der Herausgabe- und Zahlungsansprüche gegen Dritte offen zu legen und unsere Ansprüche gegen diese geltend zu machen. In der Zurücknahme sowie in der Pfändung der Vorbehaltsware durch uns liegt kein Rücktritt vom Vertrag.
7. Soweit gesetzlich zulässig, ist Freiburg im Breisgau ausschließlicher Gerichtsstand für alle sich aus dem Vertragsverhältnis unmittelbar oder mittelbar ergebenden Streitigkeiten.  
Sollte eine Bestimmung in diesen Geschäftsbedingungen oder eine Bestimmung im Rahmen sonstiger Vereinbarungen unwirksam sein oder werden, wird hiermit die Wirksamkeit aller sonstigen Bestimmungen oder Vereinbarungen nicht berührt.

Stand: April 2003

